

Mixing Valve System for Use in Concrete Batch Plants

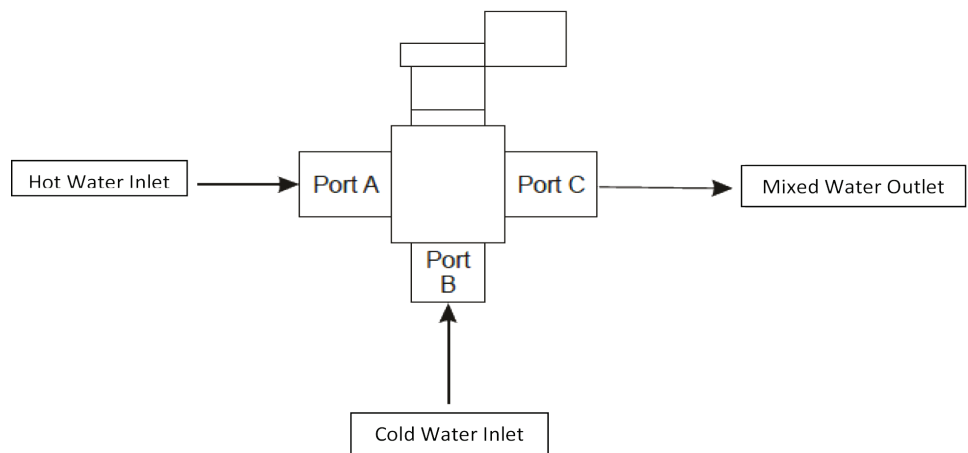
The mixing valve plumbing system takes hot and cold water, mixing it to a desired temperature. Suitable for saddle tanks or batch plant water.

Benefits

- Control water temperature
- Get precise temps for your production
- Bring your saddle tank water to a lower temperature
- Utilize you batch water more efficiently



Mixing Valve Plumbing



SIoux CORPORATION

1 Sioux Plaza • Beresford, SD 57004-1500 USA
Tel: (605) 763-3333 • Toll Free: (888) 763-8833
email@sioux.com

